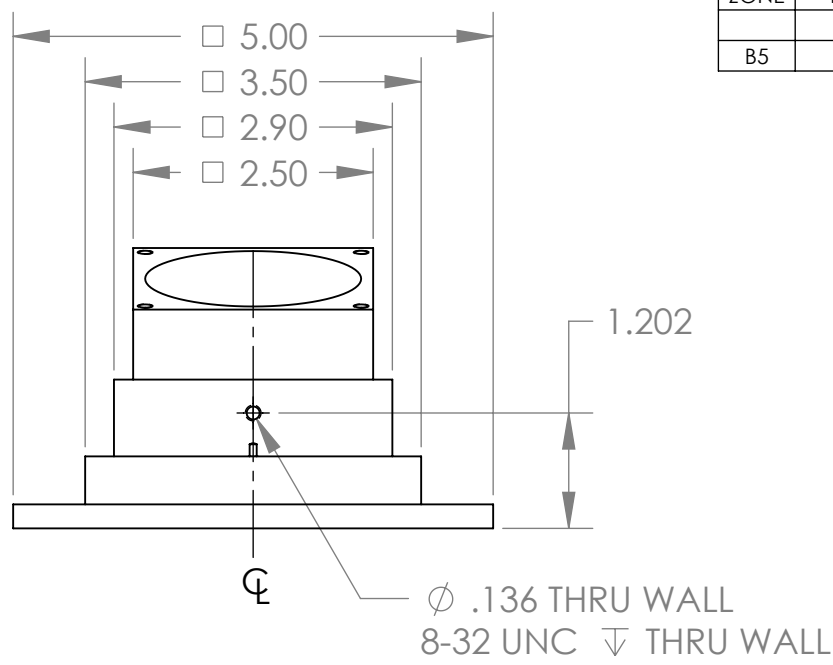
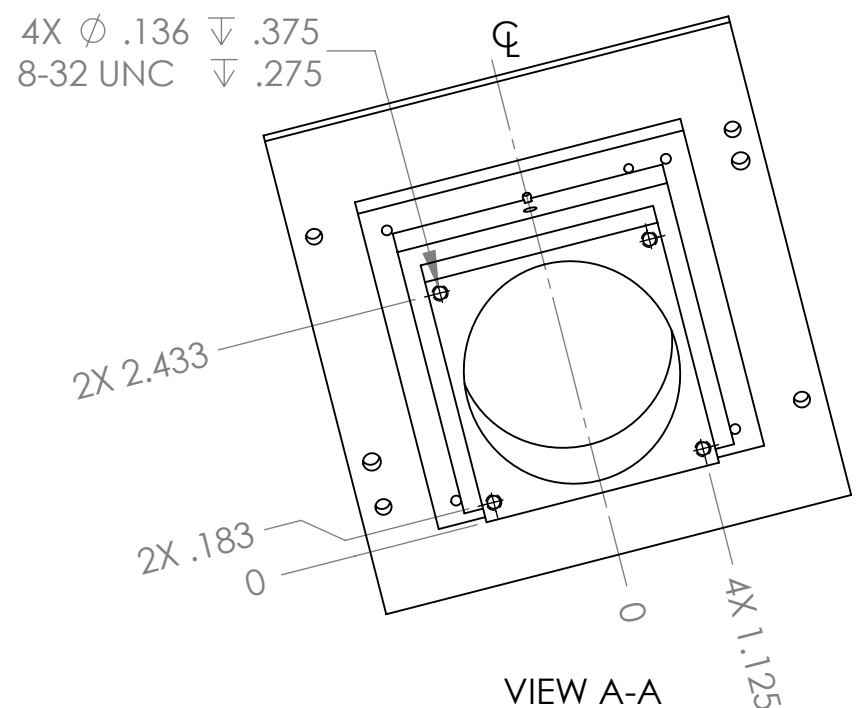


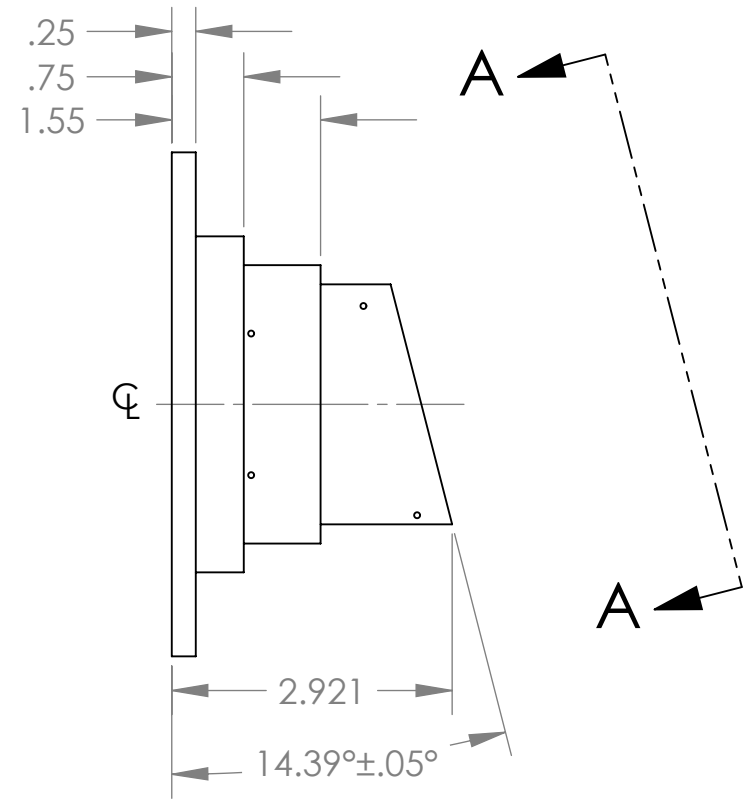
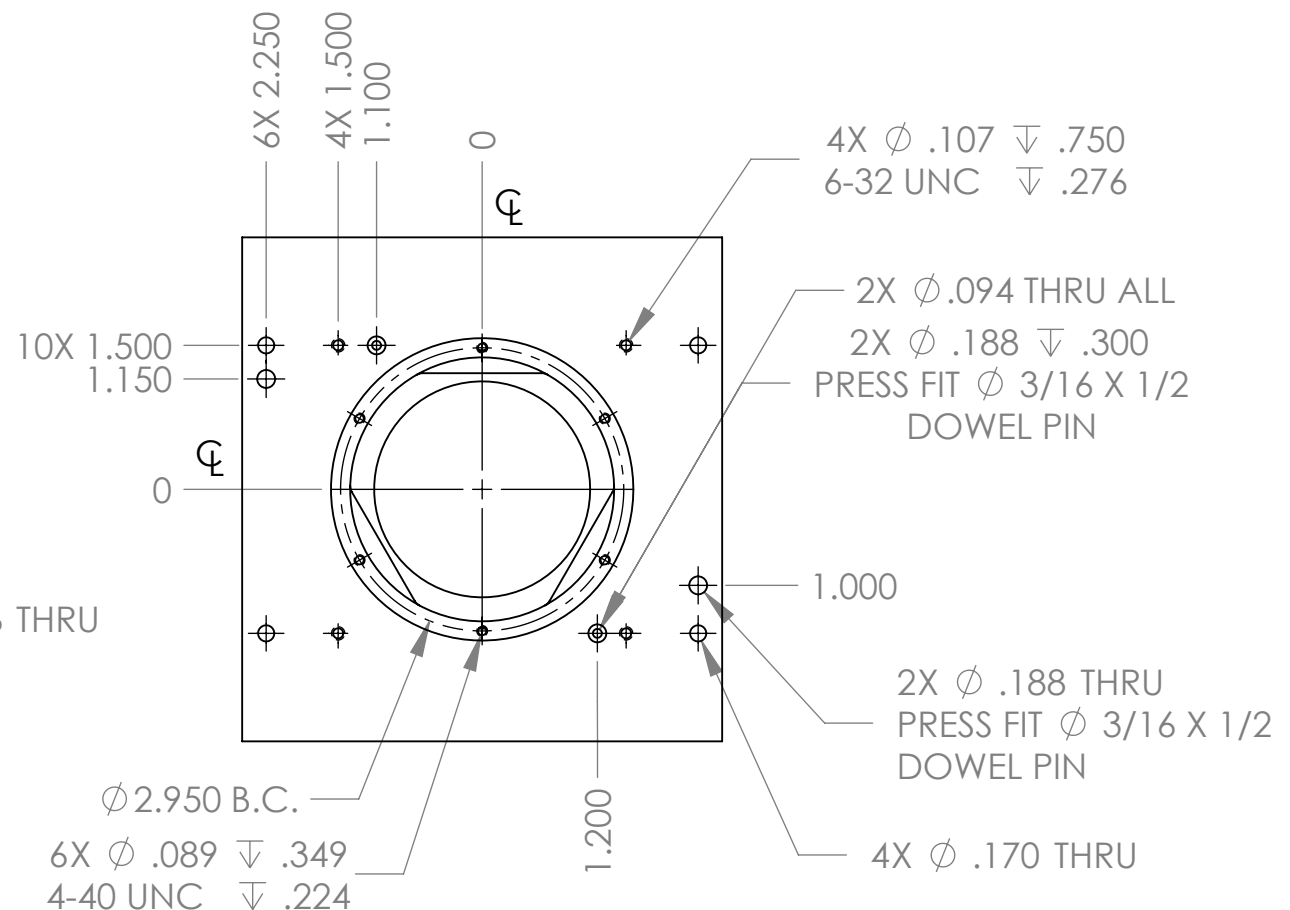
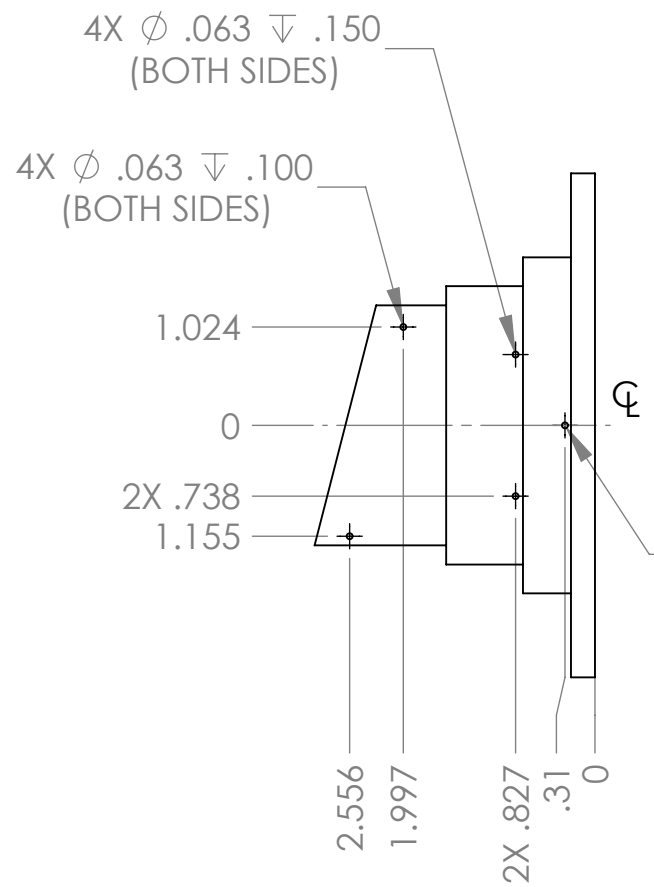
VIEWS WITH PINS



REVISIONS				
ZONE	REV.	DESCRIPTION	DATE	APPROVED
	0	INITIAL RELEASE.	02/12/07	JCW
B5	1	ADDED ϕ 1/16 VENT HOLE.	02/26/07	JCW



VIEW A-A



UNLESS OTHERWISE SPECIFIED DIMENSIONS ARE IN INCHES, REMOVE BURRS AND BREAK SHARP EDGES 0.005-0.010

TOLERANCES: .XX \pm .010 .XXX \pm .005 ANGLES \pm 0.5 $^{\circ}$ UNLESS NOTED, ALL SURFACES 64 UNLESS NOTED

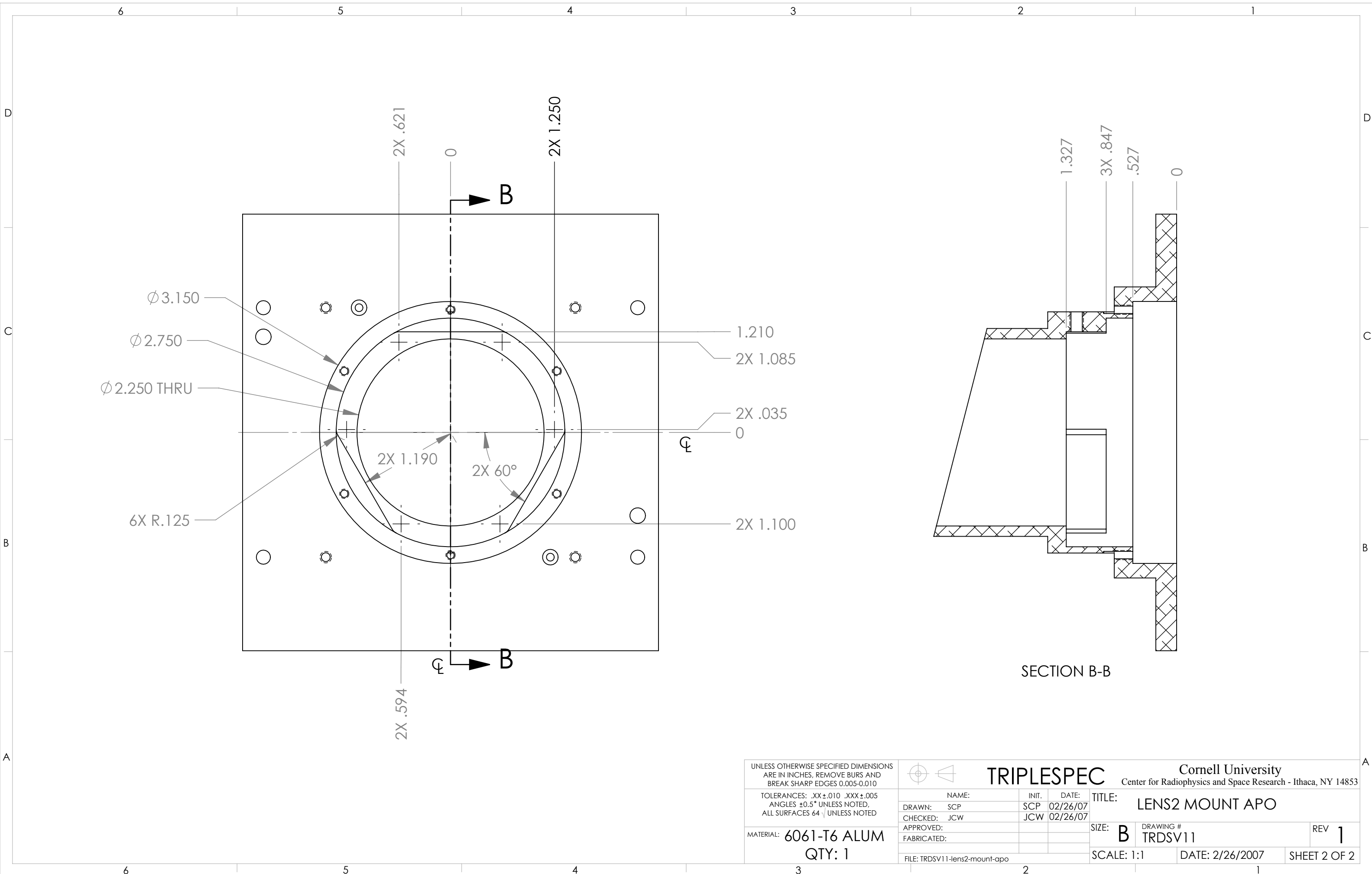
MATERIAL: 6061-T6 ALUM QTY: 1

NAME:	INIT.	DATE:	TITLE:
DRAWN: SCP	SCP	02/26/07	LENS2 MOUNT APO
CHECKED: JCW	JCW	02/26/07	SIZE: B
APPROVED:			DRAWING # TRDSV11
FABRICATED:			REV 1

FILE: TRDSV11-lens2-mount-apo

SCALE: 1:2 DATE: 2/26/2007 SHEET 1 OF 2

TRIPLESPEC Cornell University Center for Radiophysics and Space Research - Ithaca, NY 14853



UNLESS OTHERWISE SPECIFIED DIMENSIONS ARE IN INCHES, REMOVE BURRS AND BREAK SHARP EDGES 0.005-0.010 TOLERANCES: .XX±.010 .XXX±.005 ANGLES ±0.5° UNLESS NOTED, ALL SURFACES 64 UNLESS NOTED MATERIAL: 6061-T6 ALUM QTY: 1			TRIPLESPEC		Cornell University Center for Radiophysics and Space Research - Ithaca, NY 14853		
	NAME: DRAWN: SCP CHECKED: JCW APPROVED: FABRICATED:	INIT. SCP JCW	DATE: 02/26/07 02/26/07	TITLE: LENS2 MOUNT APO			
	FILE: TRDSV11-lens2-mount-apo			SIZE: B	DRAWING # TRDSV11	REV 1	SCALE: 1:1
				DATE: 2/26/2007	SHEET 2 OF 2		