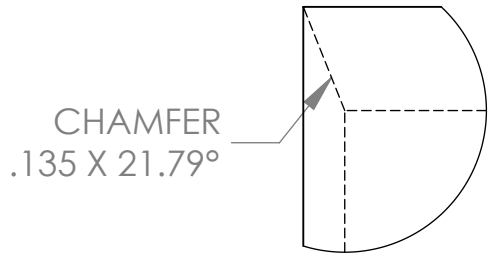
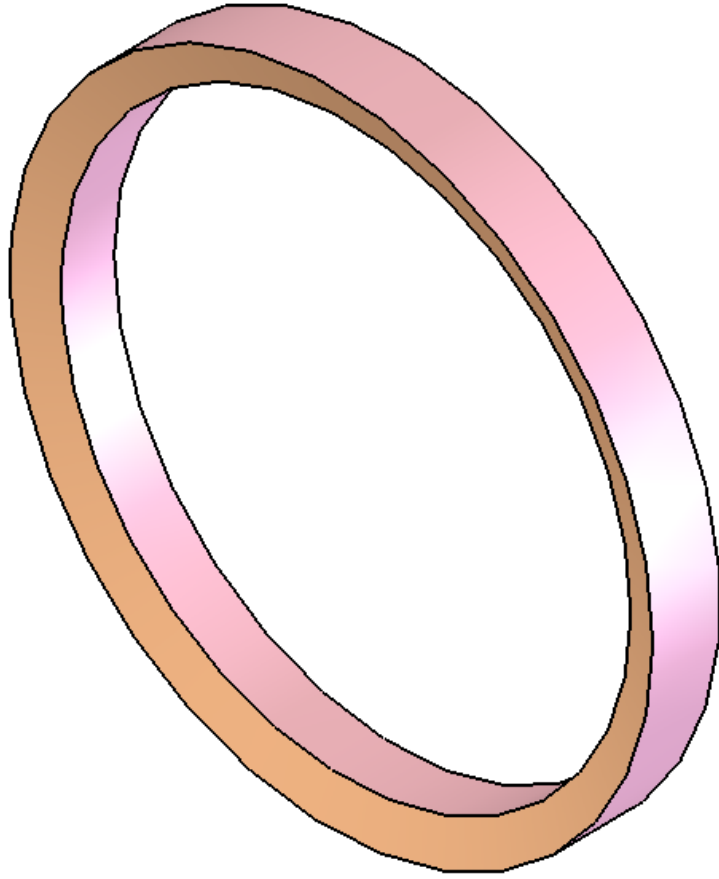
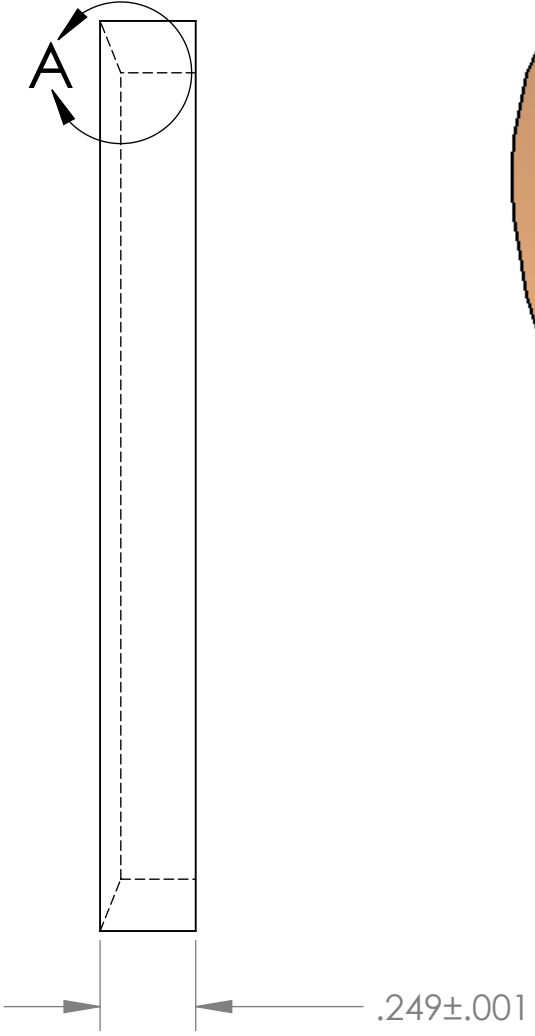
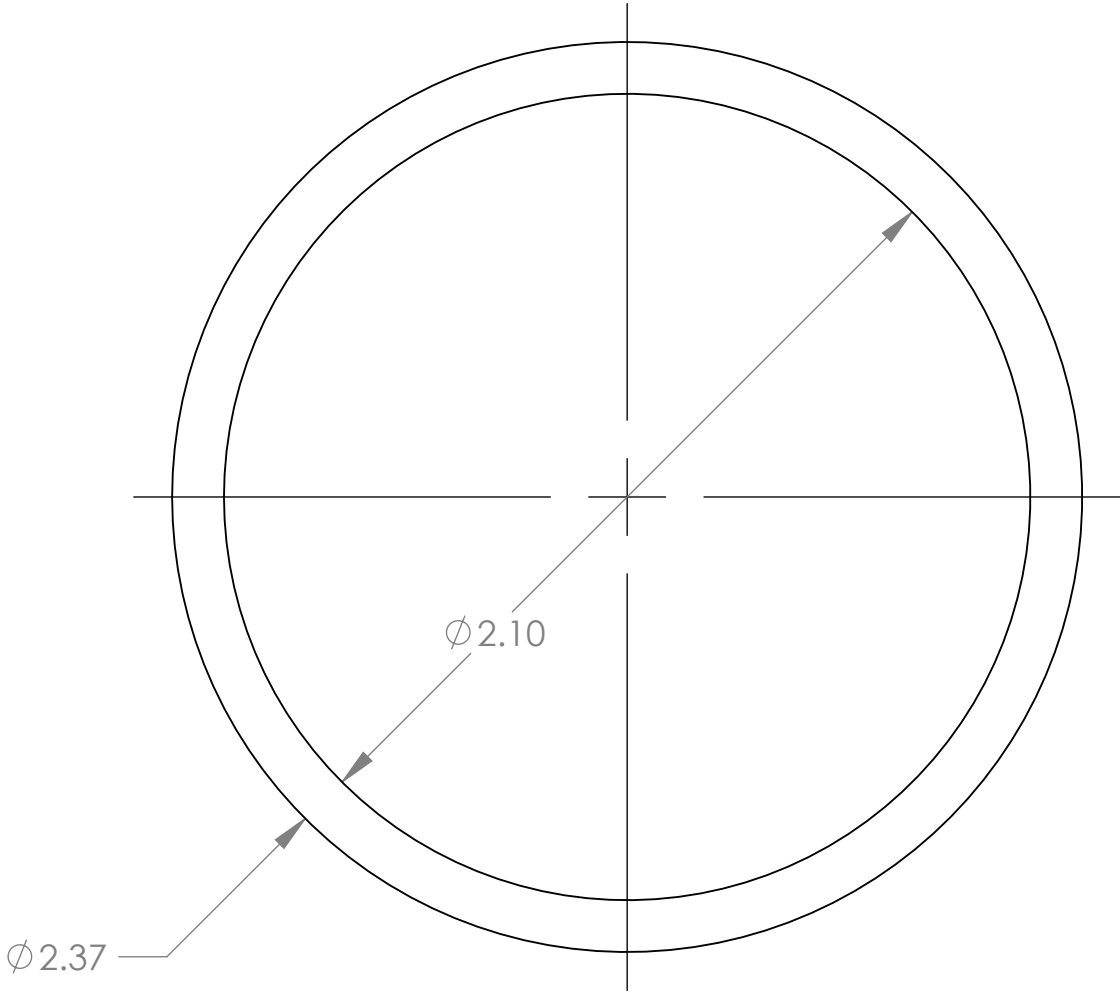


REVISIONS				
ZONE	REV.	DESCRIPTION	DATE	APPROVED
	0	INITIAL RELEASE.	01/26/07	Sri
A2	1	CHANGED .254 TO .249	04/30/07	JCW



DETAIL A
SCALE 4 : 1



UNLESS OTHERWISE SPECIFIED DIMENSIONS ARE IN INCHES, REMOVE BURS AND BREAK SHARP EDGES 0.005-0.010

TOLERANCES: .XX±.010 .XXX±.005
ANGLES ±0.5° UNLESS NOTED,
ALL SURFACES 64 UNLESS NOTED

MATERIAL: 6061-T6 ALUM
QTY: 3

NAME: _____ INIT: SCP DATE: 04/30/07

DRAWN: _____ CHECKED: JCW APPROVED: _____

FABRICATED: _____

FILE: TRDSV12-lens2-bevel-ring

TRIPLESPEC Cornell University
Center for Radiophysics and Space Research - Ithaca, NY 14853

TITLE: LENS2 BEVEL RING

SIZE: B DRAWING # TRDSV12 REV 1

SCALE: 2:1 DATE: 4/30/2007 SHEET 1 OF 1