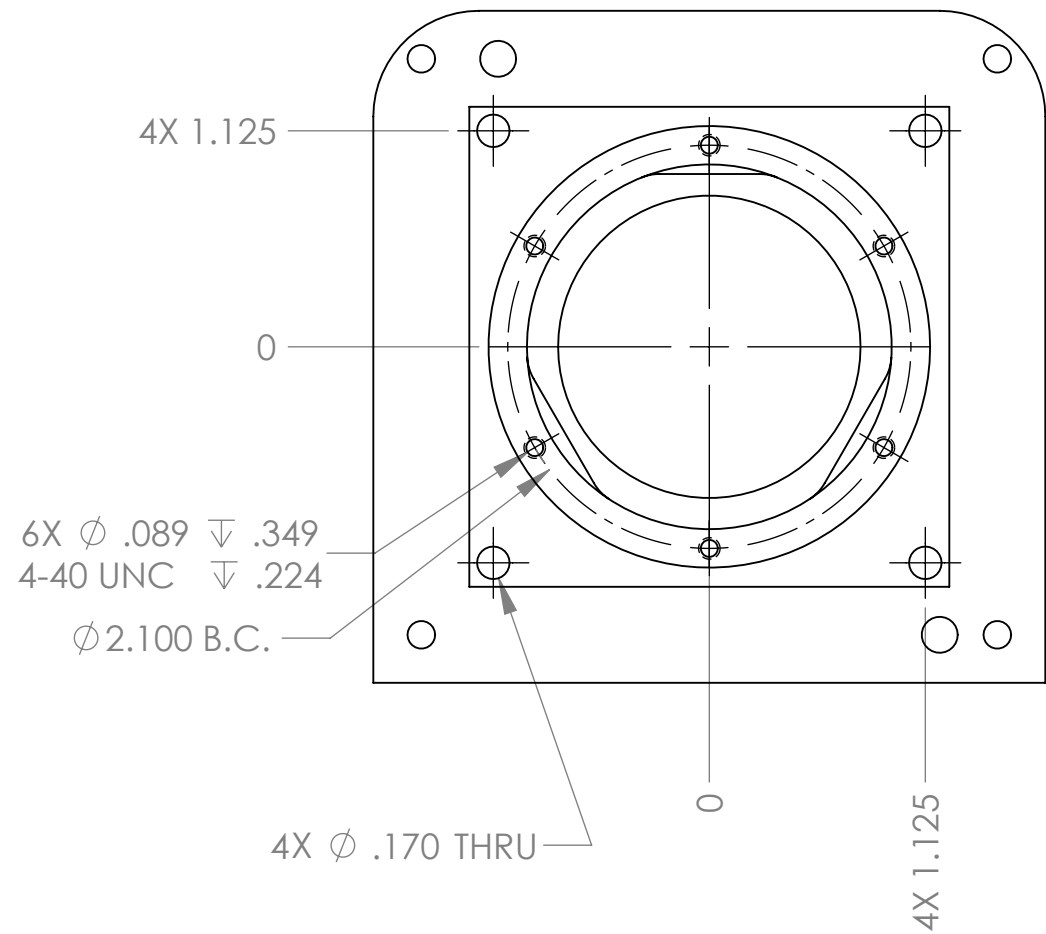
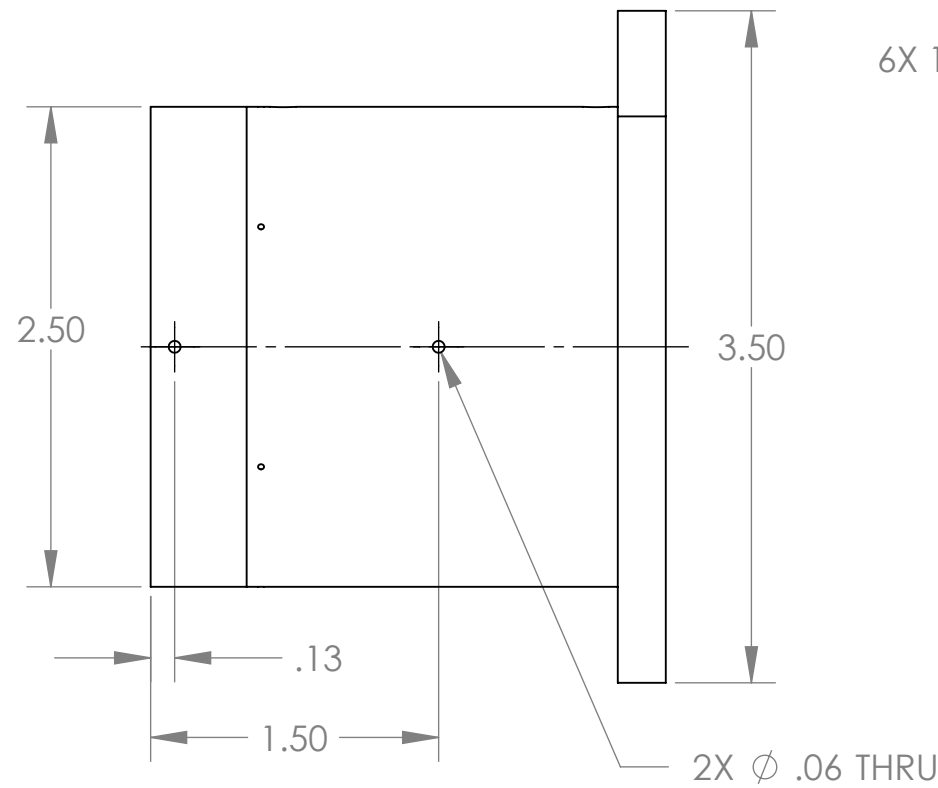
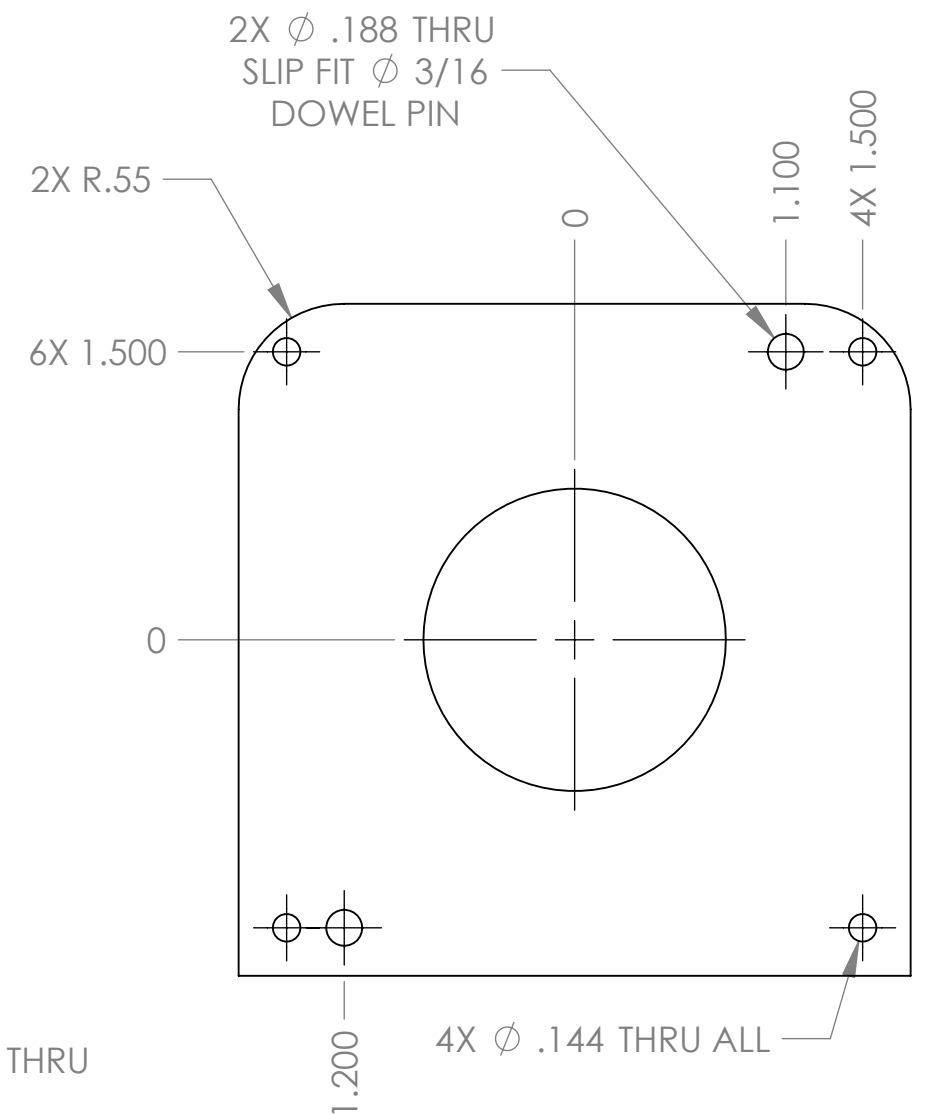
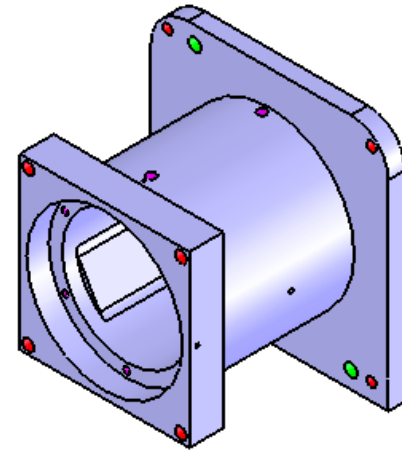
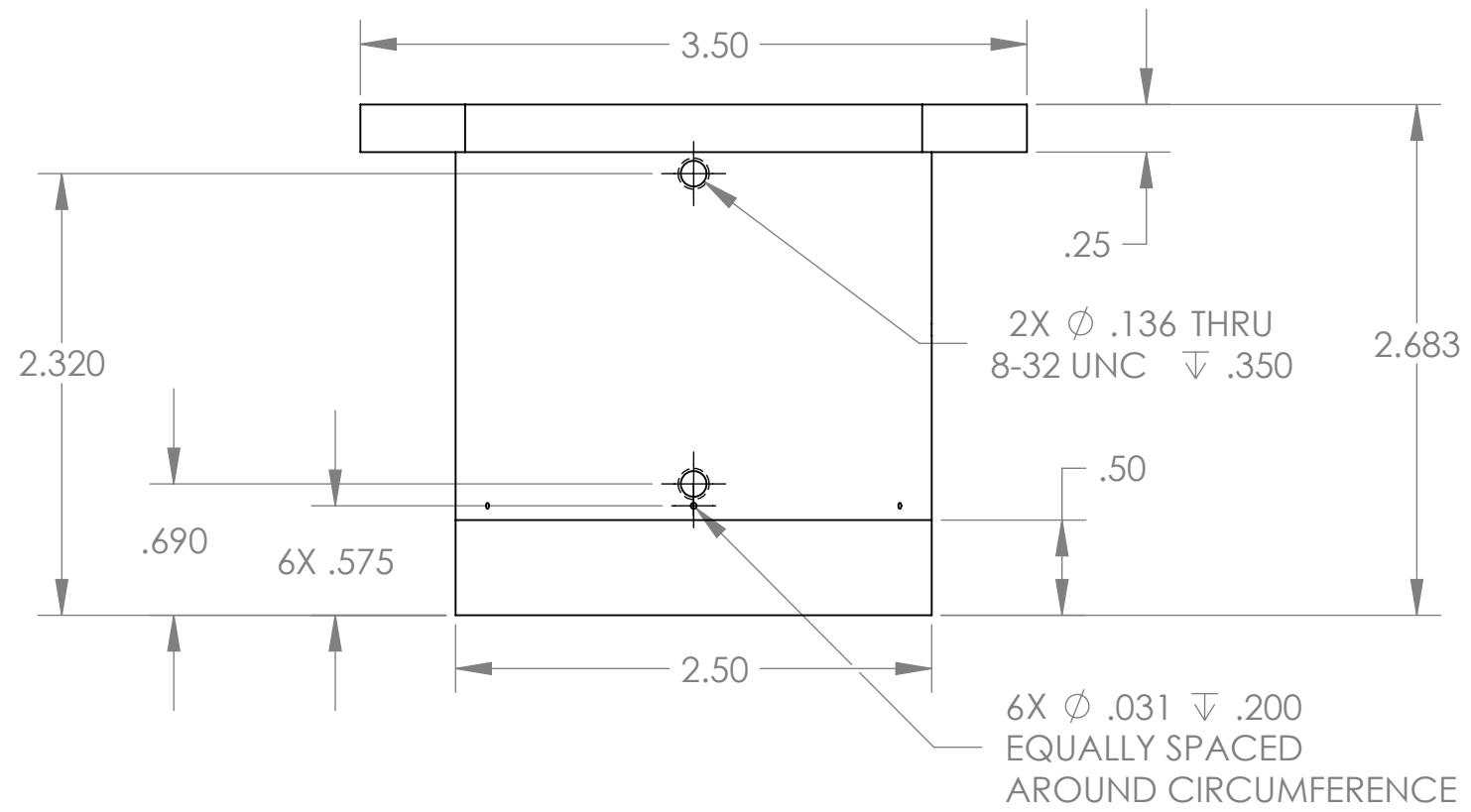


REVISIONS				
ZONE	REV.	DESCRIPTION	DATE	APPROVED
	0	INITIAL RELEASE.	01/24/07	JCW
D4	1	CHANGED 2X TAPPED HOLE FOR SPRING PLUNGER FROM #6-32 TO #8-32	02/08/07	SCP
C2		CHANGED 2X R .45 TO 2X R .55		
A1		CHANGED #8 TO #6 CLEAR HOLE (4X $\phi$ .170 TO 4X $\phi$ .144)		
B3, B4	2	ADDED 2X $\phi$ 1/16 VENT HOLE.	02/26/07	JCW



UNLESS OTHERWISE SPECIFIED DIMENSIONS ARE IN INCHES, REMOVE BURS AND BREAK SHARP EDGES 0.005-0.010  
 TOLERANCES: .XX $\pm$ .010 .XXX $\pm$ .005  
 ANGLES  $\pm$ 0.5 $^\circ$  UNLESS NOTED,  
 ALL SURFACES 64 UNLESS NOTED

MATERIAL: 6061-T6 ALUM  
 QTY: 1



NAME: INIT. DATE:  
 DRAWN: SCP SCP 02/26/07  
 CHECKED: JCW JCW 02/26/07  
 APPROVED:  
 FABRICATED:

FILE: TRDSV21-lens3-mount-apo

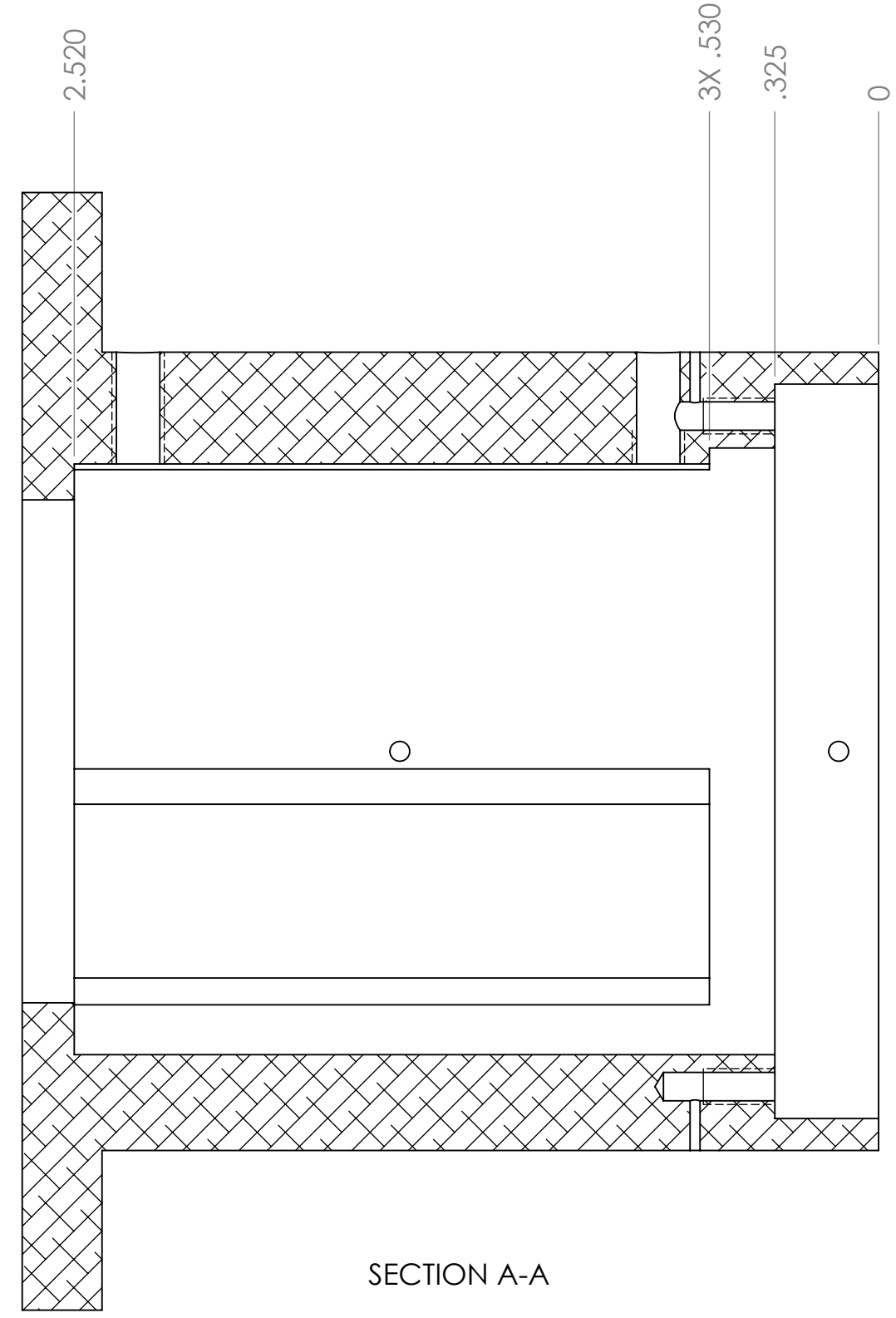
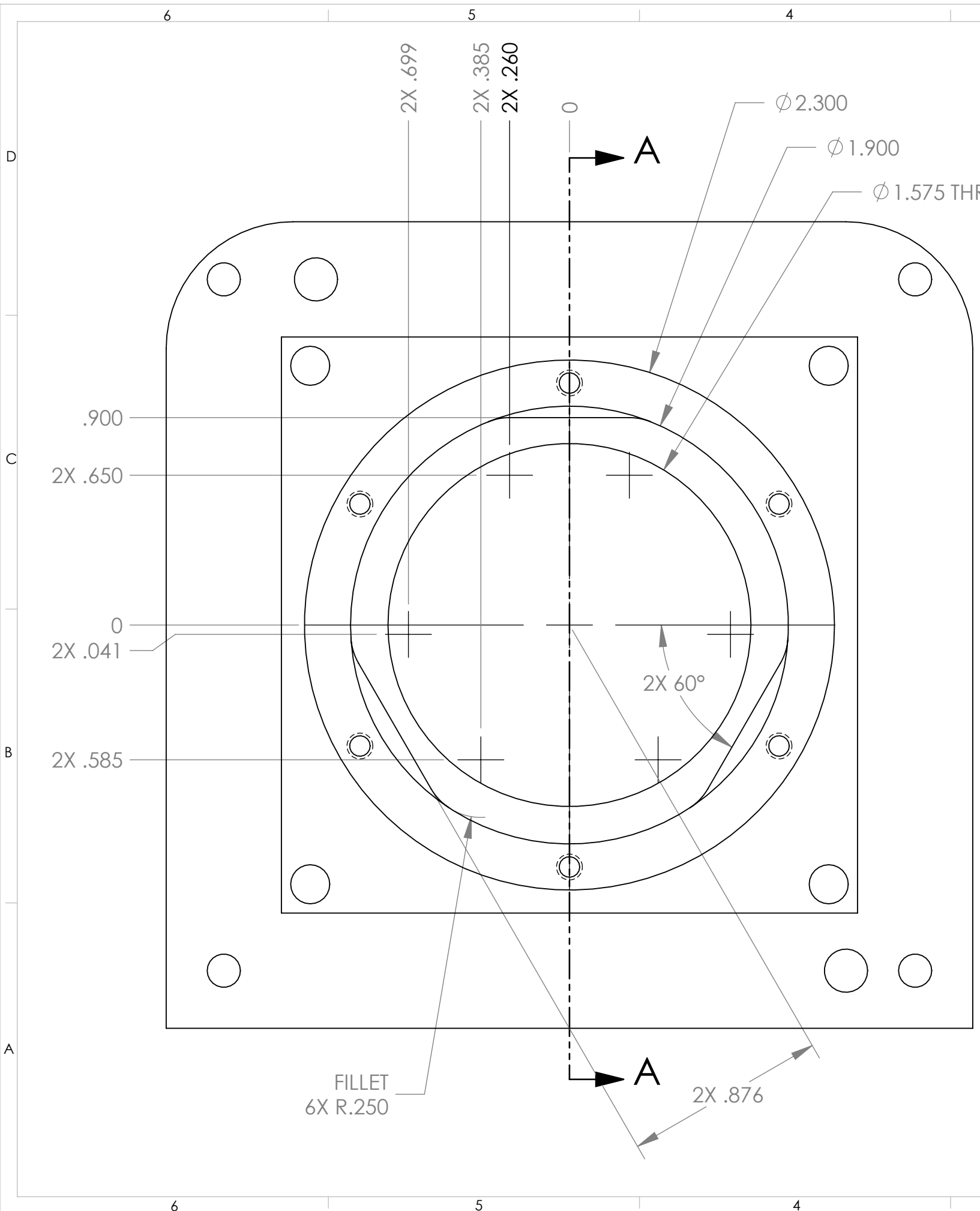
TRIPLESPEC

Cornell University  
 Center for Radiophysics and Space Research - Ithaca, NY 14853

TITLE: LENS3 MOUNT APO

SIZE: B DRAWING # TRDSV21 REV 2

SCALE: 1:1 DATE: 2/26/2007 SHEET 1 OF 2



SECTION A-A

UNLESS OTHERWISE SPECIFIED DIMENSIONS ARE IN INCHES, REMOVE BURS AND BREAK SHARP EDGES 0.005-0.010		TRIPLESPEC		Cornell University Center for Radiophysics and Space Research - Ithaca, NY 14853	
TOLERANCES: .XX±.010 .XXX±.005 ANGLES ±0.5° UNLESS NOTED, ALL SURFACES 64 UNLESS NOTED		NAME:	INIT.	DATE:	TITLE:
MATERIAL: 6061-T6 ALUM QTY: 1		DRAWN: SCP	SCP	02/26/07	LENS3 MOUNT APO
		CHECKED: JCW	JCW	02/26/07	SIZE: B
		APPROVED:			DRAWING # TRDSV21
		FABRICATED:			REV 2
		FILE: TRDSV21-lens3-mount-apo			SCALE: 2:1
					DATE: 2/26/2007
					SHEET 2 OF 2