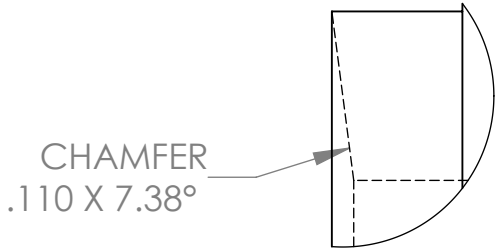
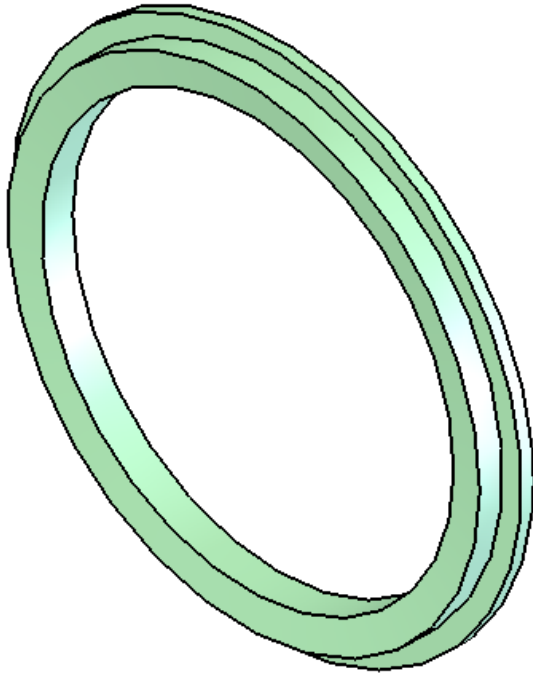
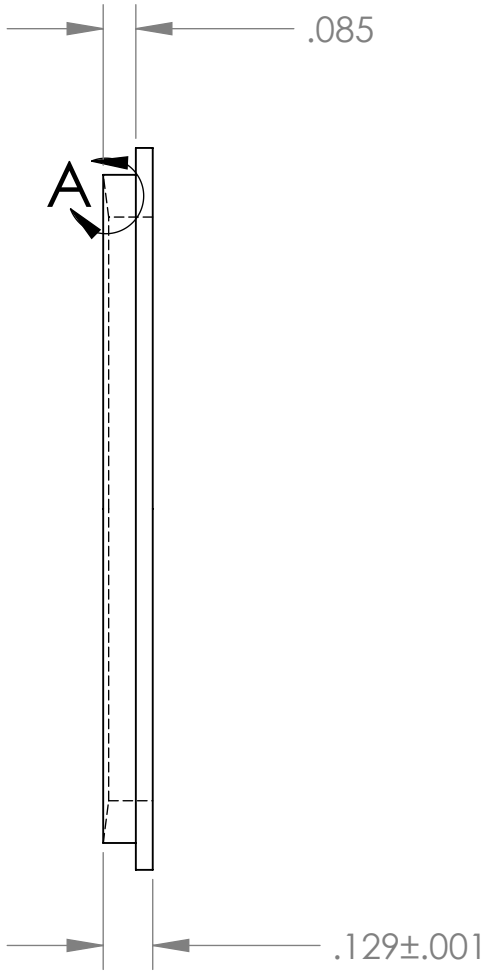
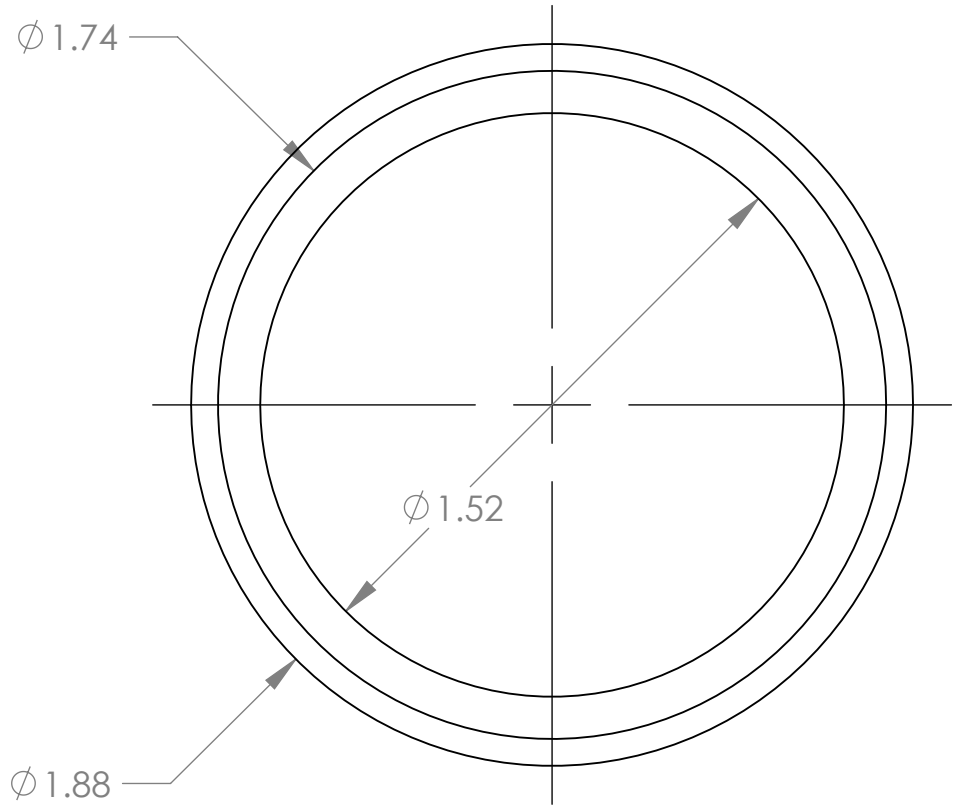


REVISIONS				
ZONE	REV.	DESCRIPTION	DATE	APPROVED
	0	INITIAL RELEASE.	01/24/07	JCW
A2	1	CHANGED .135 TO .129	04/30/07	SCP



DETAIL A
SCALE 8 : 1



UNLESS OTHERWISE SPECIFIED DIMENSIONS
ARE IN INCHES, REMOVE BURS AND
BREAK SHARP EDGES 0.005-0.010

TOLERANCES: .XX ± .010 .XXX ± .005
ANGLES ± 0.5° UNLESS NOTED,
ALL SURFACES 64 UNLESS NOTED

MATERIAL: 6061-T6 ALUM
QTY: 1



NAME: _____ INIT. DATE: _____
DRAWN: _____ SCP 04/30/07
CHECKED: _____ JCW 04/30/07
APPROVED: _____
FABRICATED: _____

TRIPLESPEC

Cornell University
Center for Radiophysics and Space Research - Ithaca, NY 14853

TITLE: LENS3 SPRING RING APO
SIZE: B DRAWING # TRDSV23 REV 1
SCALE: 2:1 DATE: 4/30/2007 SHEET 1 OF 1

FILE: TRDSV23-lens3-spring-ring-apo