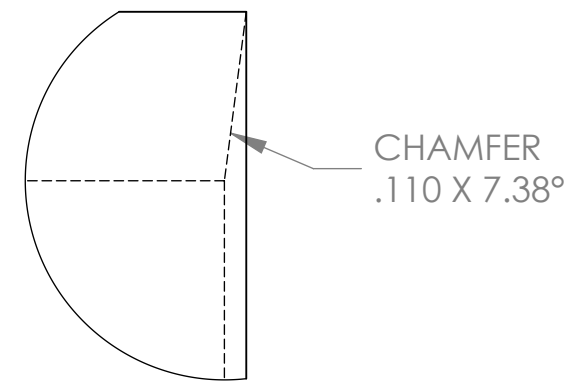
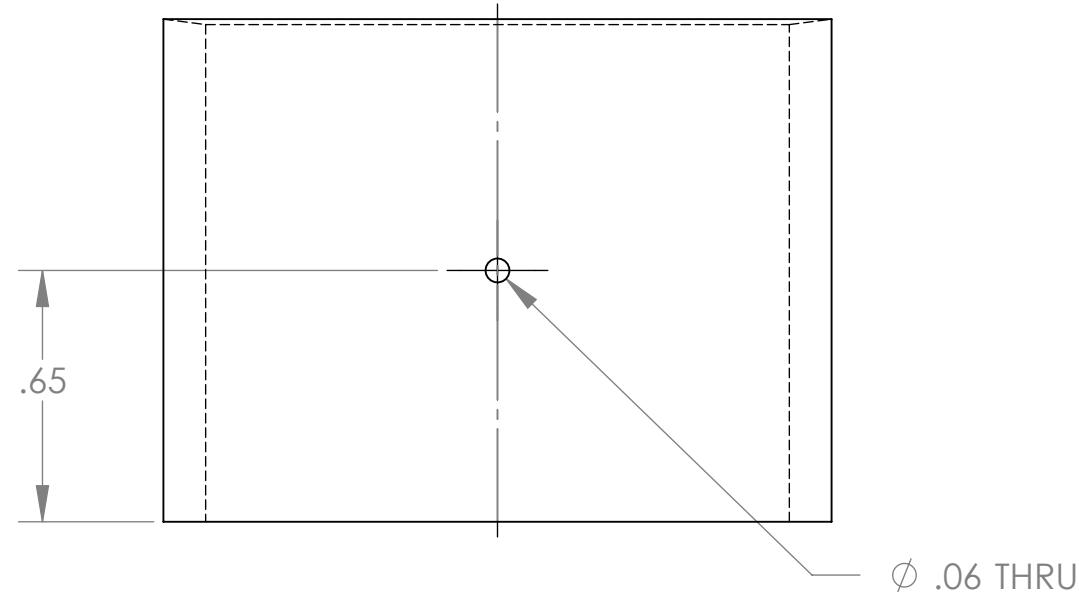
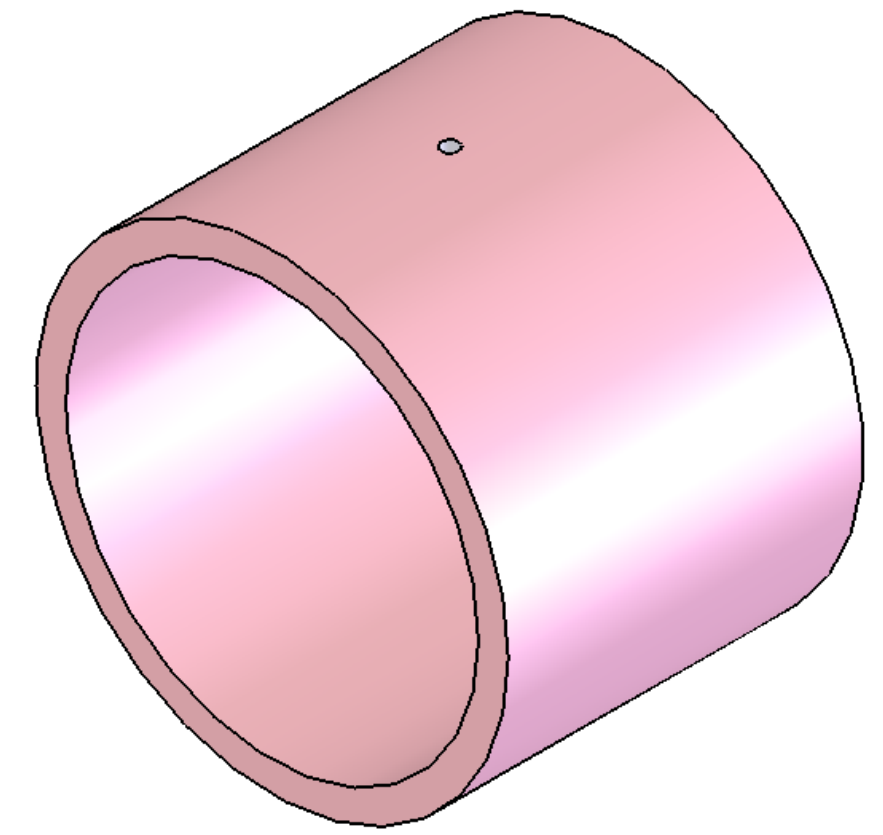
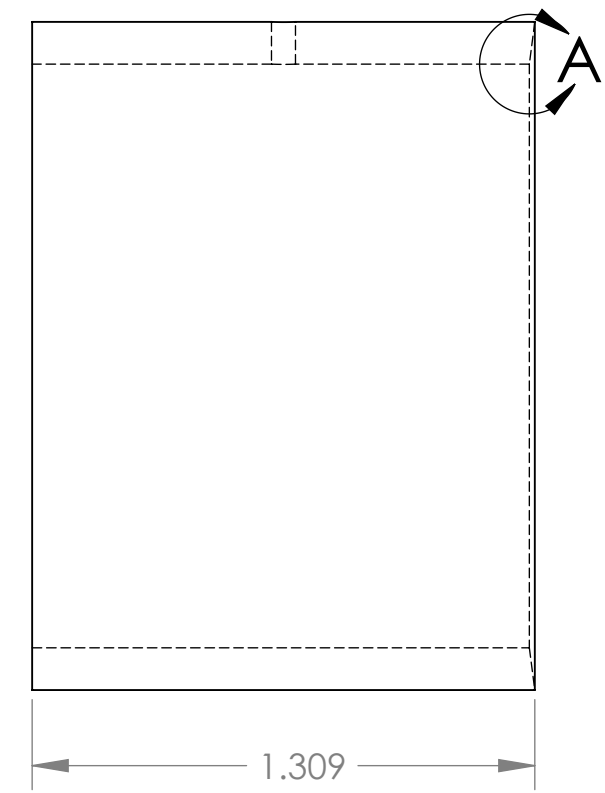
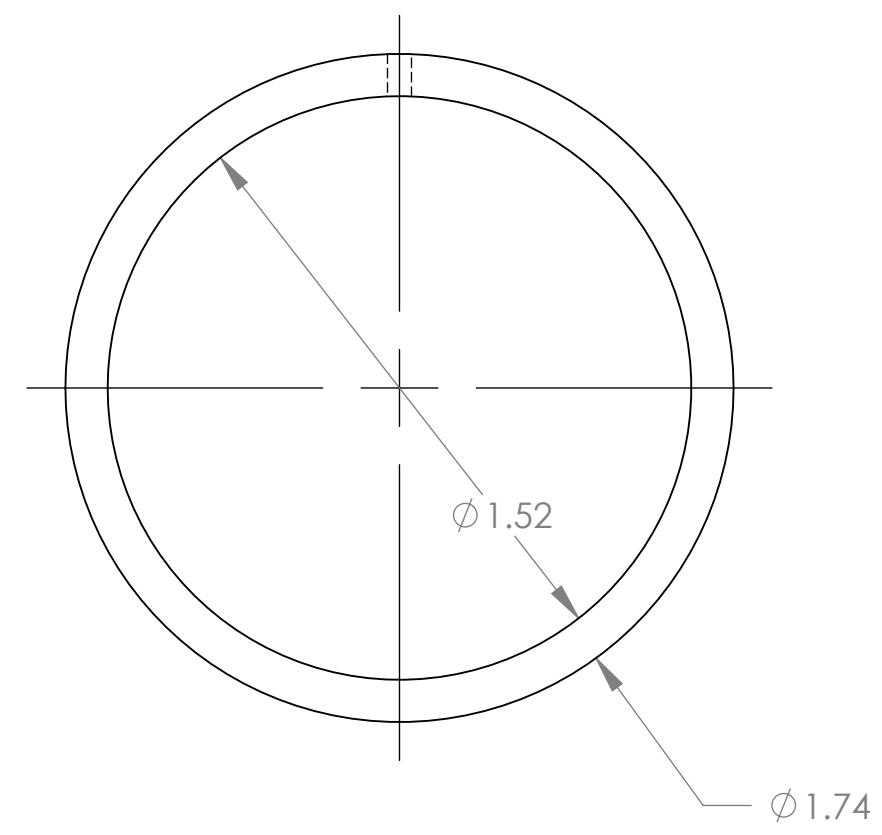


REVISIONS				
ZONE	REV.	DESCRIPTION	DATE	APPROVED
	0	INITIAL RELEASE.	01/24/07	JCW
D5	1	ADDED \varnothing 1/16 VENT HOLE.	02/26/07	JCW



DETAIL A
SCALE 8:1



UNLESS OTHERWISE SPECIFIED DIMENSIONS ARE IN INCHES, REMOVE BURS AND BREAK SHARP EDGES 0.005-0.010

TOLERANCES: .XX \pm .010 .XXX \pm .005
ANGLES \pm 0.5° UNLESS NOTED,
ALL SURFACES 64 UNLESS NOTED

MATERIAL: 6061-T6 ALUM
QTY: 1

NAME:	INIT.	DATE:
DRAWN: SCP	SCP	02/26/07
CHECKED: JCW	JCW	02/26/07
APPROVED:		
FABRICATED:		
FILE: TRDSV24-lens3-bevel-ring-apo		

TRIPLESPEC Cornell University
Center for Radiophysics and Space Research - Ithaca, NY 14853

TITLE: LENS3 BEVEL RING APO

SIZE: B DRAWING # TRDSV24 REV 1

SCALE: 2:1 DATE: 2/26/2007 SHEET 1 OF 1