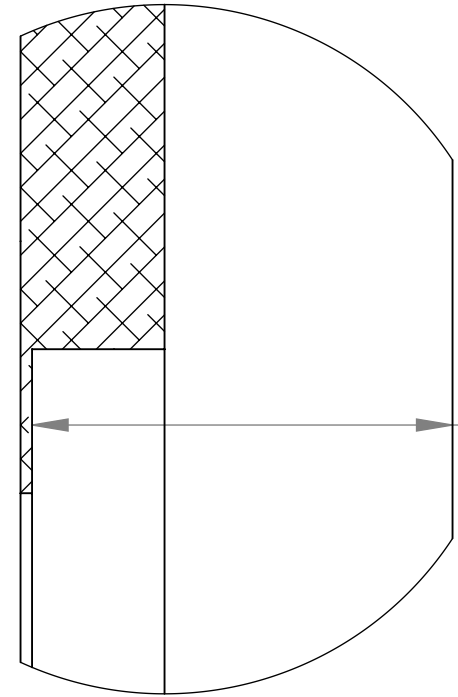
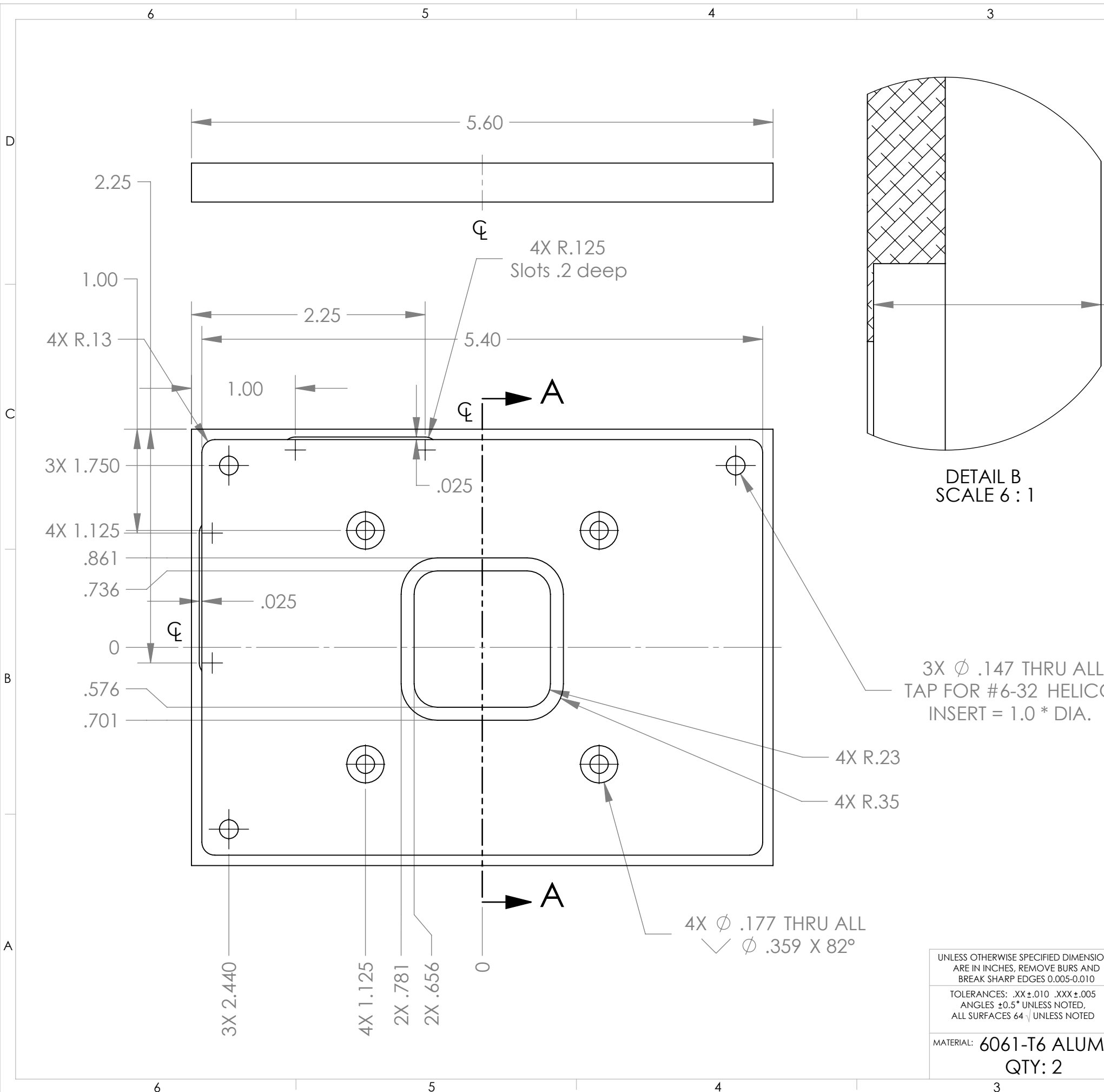
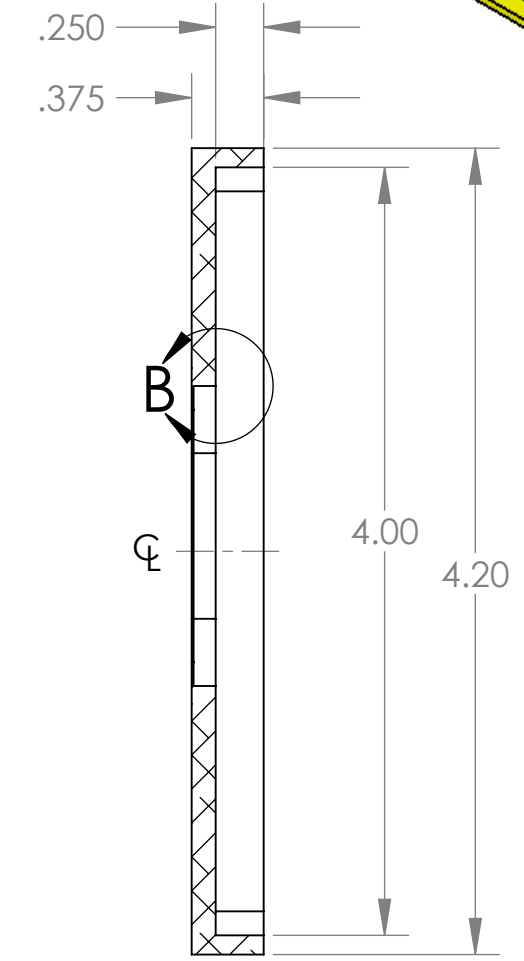
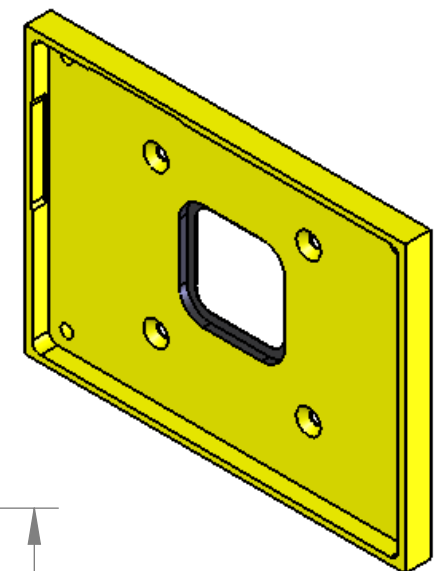


REVISIONS				
ZONE	REV.	DESCRIPTION	DATE	APPROVED
	0	INITIAL RELEASE.	02/12/07	JCW
C5	1	Added .025 X 1.25 X.2 Slots	12JUL07	CH



DETAIL B  
SCALE 6 : 1

3X  $\phi$  .147 THRU ALL  
TAP FOR #6-32 HELICOIL  
INSERT = 1.0 \* DIA.



SECTION A-A

UNLESS OTHERWISE SPECIFIED DIMENSIONS ARE IN INCHES, REMOVE BURRS AND BREAK SHARP EDGES 0.005-0.010

TOLERANCES: .XX ± .010 .XXX ± .005  
 ANGLES ± 0.5° UNLESS NOTED,  
 ALL SURFACES 64 UNLESS NOTED

MATERIAL: **6061-T6 ALUM**  
**QTY: 2**

TRIPLESPEC

Cornell University  
 Center for Radiophysics and Space Research - Ithaca, NY 14853

NAME:	INIT.	DATE:	TITLE:
DRAWN:	CH	07/12/07	HAWAII MOUNT FRAME, Pal-Keck
CHECKED:	CH	07/12/07	
APPROVED:			
FABRICATED:			

FILE: TRDSV31 hawaii-mount-frame, Pal-Keck

SIZE: <b>B</b>	DRAWING # TRDSV31	REV <b>1</b>
SCALE: 1:1	DATE: 7/12/2007	SHEET 1 OF 1