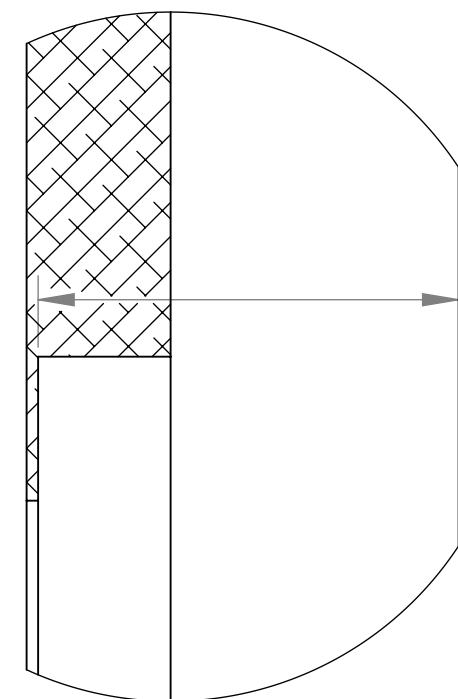
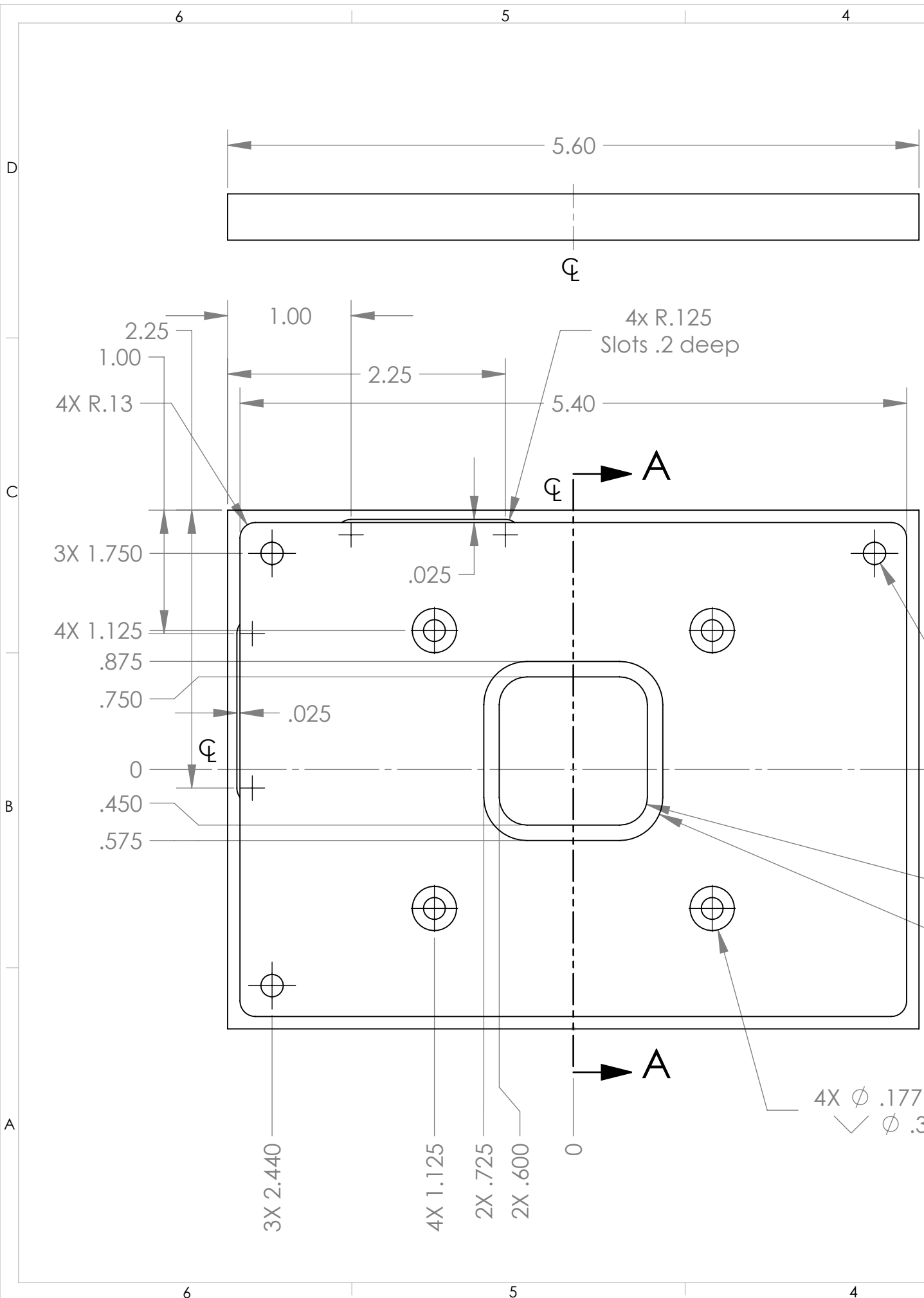


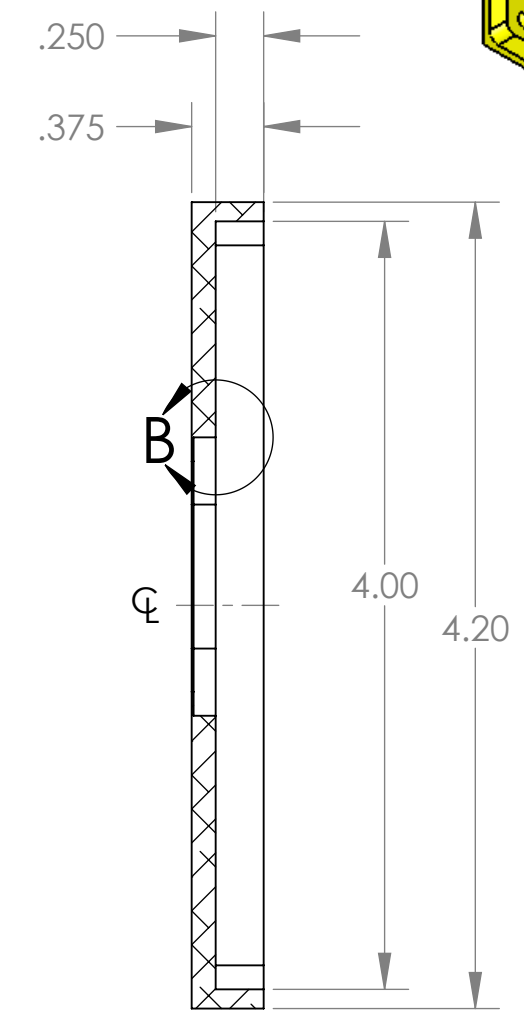
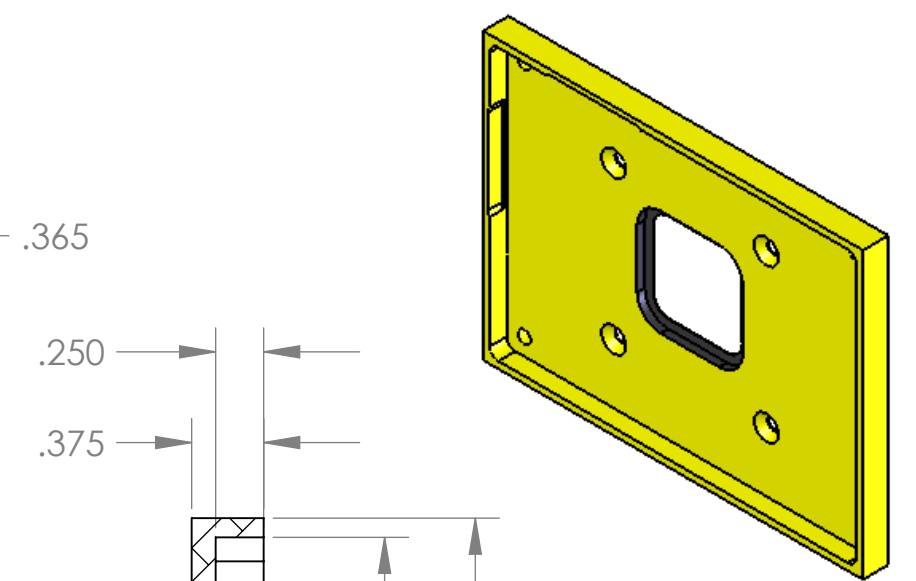
REVISIONS				
ZONE	REV.	DESCRIPTION	DATE	APPROVED
	0	INITIAL RELEASE.	02/12/07	JCW
c5	1	Added .025x 1.25x .2 Slots	12JUL07	CH



3X ϕ .147 THRU ALL
 TAP FOR #6-32 HELICOIL
 INSERT = 1.0 * DIA.

4x R.23

4x R.35



UNLESS OTHERWISE SPECIFIED DIMENSIONS
 ARE IN INCHES, REMOVE BURRS AND
 BREAK SHARP EDGES 0.005-0.010

TOLERANCES: .XX ± .010 .XXX ± .005
 ANGLES ± 0.5° UNLESS NOTED,
 ALL SURFACES 64 UNLESS NOTED

MATERIAL: 6061-T6 ALUM
 QTY: 1

		TRIPLESPEC		Cornell University Center for Radiophysics and Space Research - Ithaca, NY 14853	
				NAME:	INIT: CH
DRAWN:	CHECKED:	APPROVED:	FABRICATED:	SIZE: B	DRAWING # TRDSV32
FILE: TRDSV32 hawaii-mount-frame, APO				SCALE: 1:1	DATE: 7/12/2007
				SHEET 1 OF 1	REV