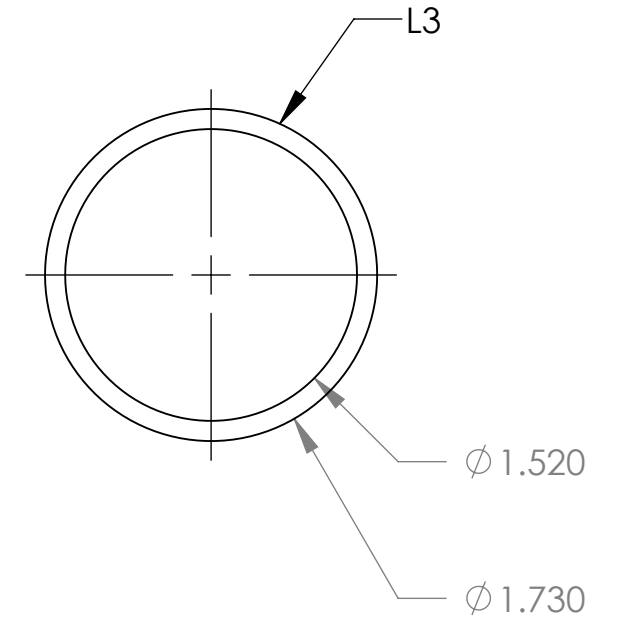
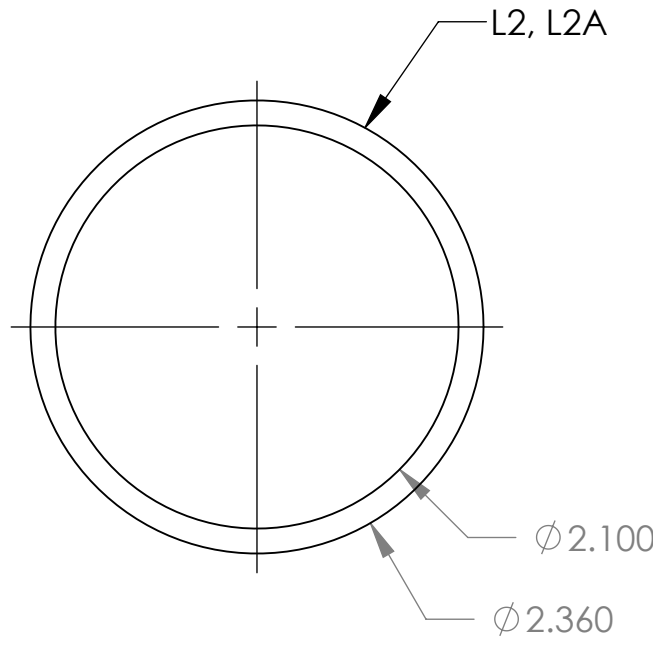
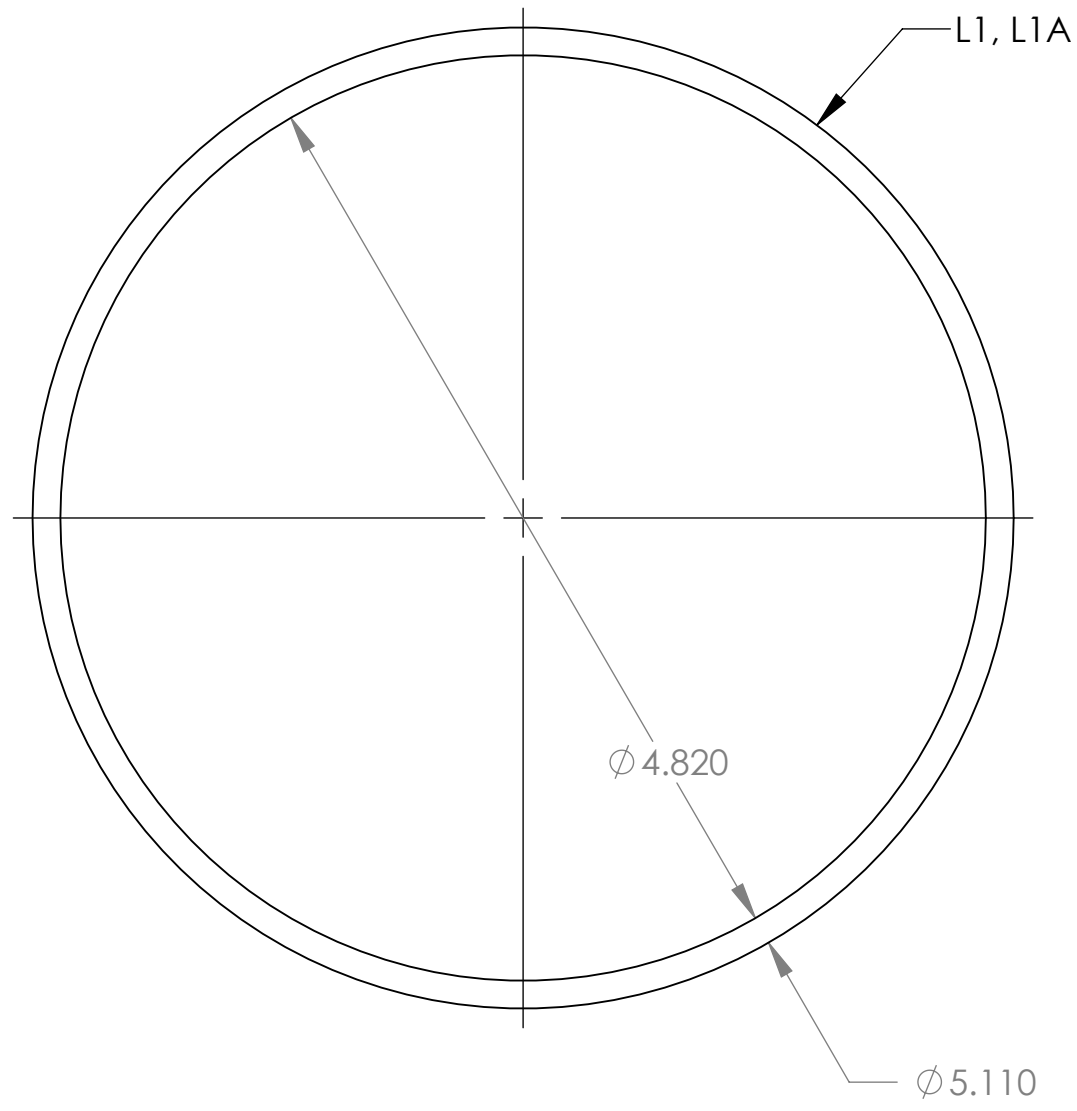


DESIGN TABLE						
PART NAME	PART NUMBER	MATERIAL	OD	ID	THK	QTY
L1	TRDSV33	PTFE	5.110	4.820	.010	6
L1A	TRDSV34	KAPTON	5.110	4.820	.002	6
L2	TRDSV35	PTFE	2.360	2.100	.010	6
L2A	TRDSV36	KAPTON	2.360	2.100	.002	6
L3	TRDSV37	PTFE	1.730	1.520	.010	8



UNLESS OTHERWISE SPECIFIED DIMENSIONS ARE IN INCHES, REMOVE BURS AND BREAK SHARP EDGES 0.005-0.010 TOLERANCES: .XX±.010 .XXX±.005 ANGLES ±0.5° UNLESS NOTED, ALL SURFACES 64 UNLESS NOTED MATERIAL: AS NOTED QTY: AS NOTED			TRIPLESPEC		Cornell University Center for Radiophysics and Space Research - Ithaca, NY 14853		
	NAME: _____ DRAWN: SCP CHECKED: JCW APPROVED: _____ FABRICATED: _____	INIT: SCP JCW	DATE: 04/30/07 05/03/07	TITLE: LENS SPACERS			
	MATERIAL: AS NOTED QTY: AS NOTED			SIZE: B	DRAWING # TRDSV33-37	REV 0	
	FILE: TRDSV33-37 Lens Spacers			SCALE: 1:1	DATE: 5/3/2007	SHEET 1 OF 1	