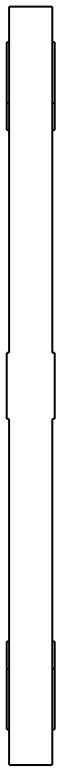
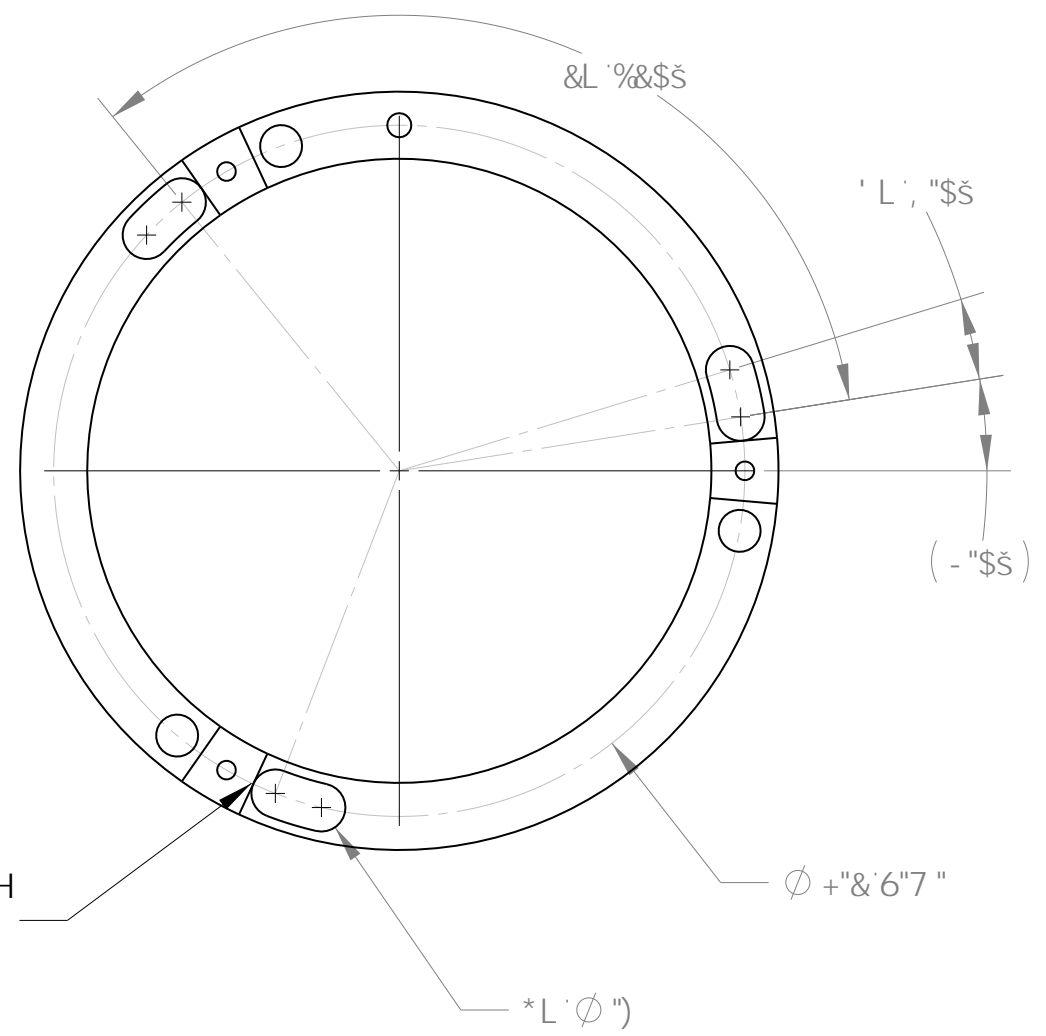
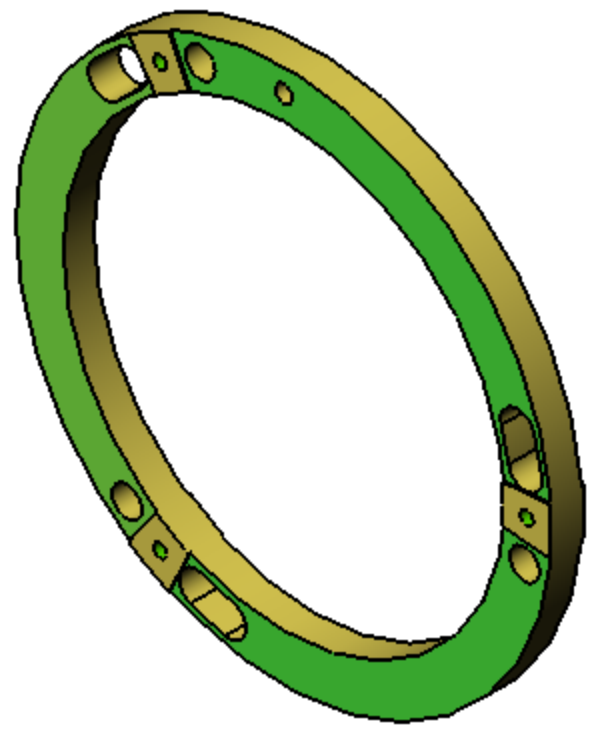


A C 8 ÷ 7 5 HC B 'HC '9L GHB; 'D5 FH'



A 5?9F58± GC: 'G@C H  
H5B; 9BHHC '6C GG"

I B@9GCH:9FK 49 CD97 + 98 8 A 9BGC BG 5F9-B B7 < 9G2F9A CJ 96I FG5B8 6F95? G<5FD98: 9G\$"\$S) I\$"\$S\$				<b>HF D@9GD97</b>		<b>Eqtpgm'Wpkgtukv</b> Egpvt'ht'Tcf kqrj { ueu'cpf 'Ur ceg'Tgugctej ' /'Kj cec.'P[ '36: 75	
HC @9F5B7 9G "LL±"\$S%" "LLL±"\$S) 5B: @9G±"\$S)* I B@9GBC H982 5@@QI F: 57 9G*( "I B@9GBC H98		B5A 9.		B#H		85H9.	
A 5H9F-5@ ; !%\$ 7 F E HM"		8F5K B. G7 D		G7 D %@#S- #S*		H#09.	
		7 < 97?98. 7 <		7 < %@#S- #S*		BG @5HC F'F-B;	
		5DDFC J 98.				GAN.	
		:56F 7 5H98.				6 ) * -- &%	
		:@9.) * -- &% !bg Utcffp[				F9J \$	
						G7 5 @. %&	
						85H9. %@#%\$##&\$\$*	
						G< 99H% C: %	